

ELECTRICAL SPECIFICATIONS:

- | | | | |
|--|---------|--|--------------|
| 1.0 TURNS RATIO: {P8-P6-P7} : | {J6-J3} | : | 1CT : 1 ± 3% |
| {P2-P3-P1} : | {J2-J1} | : | 1CT : 1 ± 3% |
| 2.0 INDUCTANCE: {P7-P8} | : | 350uH MIN. @ 0.1V, 100KHz, 8mA DC Bias | |
| {P1-P2} | : | 350uH MIN. @ 0.1V, 100KHz, 8mA DC Bias | |
| 3.0 LEAKAGE INDUCTANCE: P8-P7 {WITH J6 AND J3 SHORT} | : | 0.3 MAX. @ 1MHz | |
| P2-P1 {WITH J2 AND J1 SHORT} | : | 0.3 MAX. @ 1MHz | |
| 4.0 INTERWINDING CAPACITANCE: {P8,P6,P7} TO {J6,J3} | : | 30pf MAX @ 1MHz | |
| {P3,P2,P1} TO {J2,J1} | : | 30pf MAX. @ 1MHz | |
| 5.0 DC RESISTANCE: {J6-J3} | : | 1.2 ohms Max. | |
| {P1-P2} | : | 1.2 ohms Max. | |

NOTES

1.0 PINS WITHOUT ELECTRICAL CONNECTION ARE OMITTED.



InNet Technologies, Inc.
<http://www.innet-tech.com>



Stewart Connector Systems
<http://www.stewartconnector.com>

SHEET
1 OF 4

DRAWING NO. SI-40227

REV. 04

RECEIVE

6.0 RETURN LOSS: 1MHz TO 30MHz 60MHz TO 80MHz	: 18dB MIN. : 12dB MIN.
7.0 DIELECTRIC WITHSTAND: {J1, J2} TO {P1, P2} {J3, J6} TO {P8,P7}	: 1500 VAC : 1500 VAC
8.0 INSERTION LOSS: RS=RL=100 ohms 100KHz TO 100MHz	: 1.1 dB MAX
9.0 RISE TIME: RS=100 OHMS AND RL = 100 OHMS OUTPUT VOLTAGE = 1 V peak PULSE WIDTH= 112nS	: 3.0 nS MAX : 3.0 nS MAX
10.0 CROSS TALK: 1MHz TO 100MHz	: 35 dB TYP
11.0 COMMON TO COMMON MODE ATTENUATION: 1MHz TO 100MHz	: 45dB TYP



InNet Technologies, Inc.
<http://www.innet-tech.com>



Stewart Connector Systems
<http://www.stewartconnector.com>

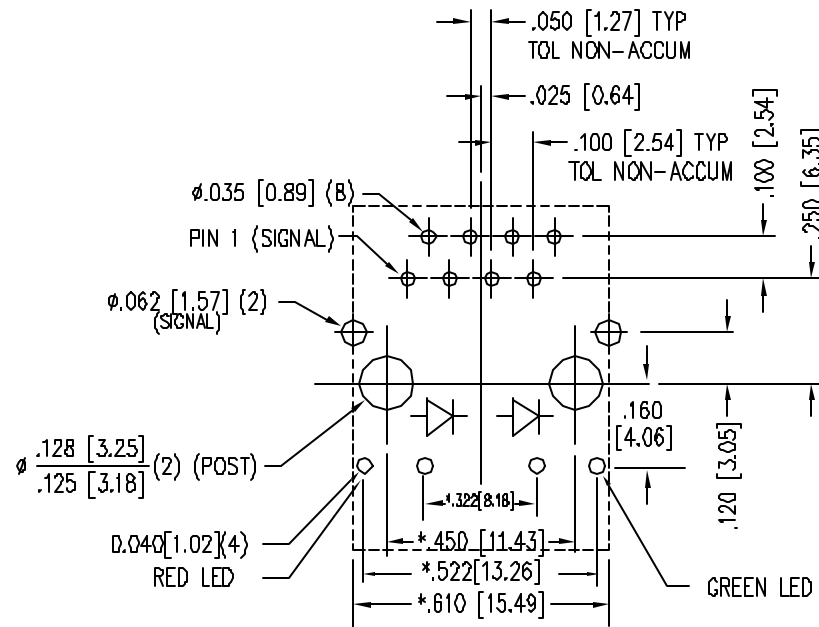
SHEET
2 OF 4

DRAWING NO. SI-40227

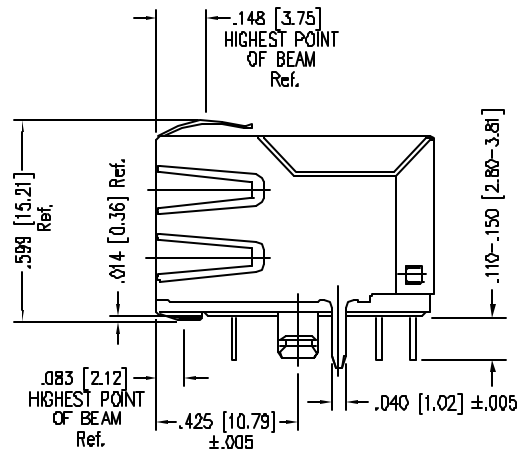
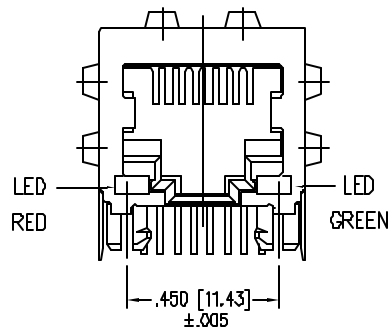
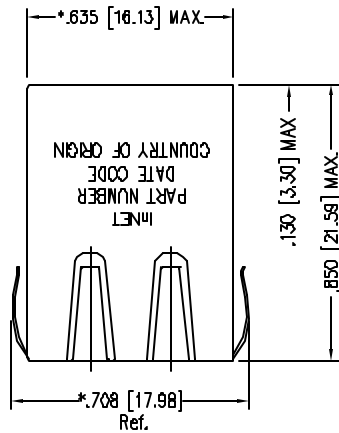
REV. 04

NOTES:

- TOLERANCES COMPLY WITH F.C.C. DIMENSION REQUIREMENTS
- DIMENSIONS SHOWN WITH "*" TO BE CENTRAL ABOUT CENTER LINE
- DIMENSIONS SHOWN ARE SUBJECT TO CHANGE WITHOUT NOTICE.
- PIN NOT ELECTRICALLY CONNECTED MAYBE OMITTED. SEE ELECTRICAL DRAWING FOR OMITTED PINS.
- STANDARD 50 MICRO-INCH SELECTIVE GOLD PLATING



P.C.B. RECOMMENDED HOLE LAYOUT
SEEN FROM COMPONENT SIDE
TOLERANCE ±.003 [0.08] UNLESS OTHERWISE SPECIFIED



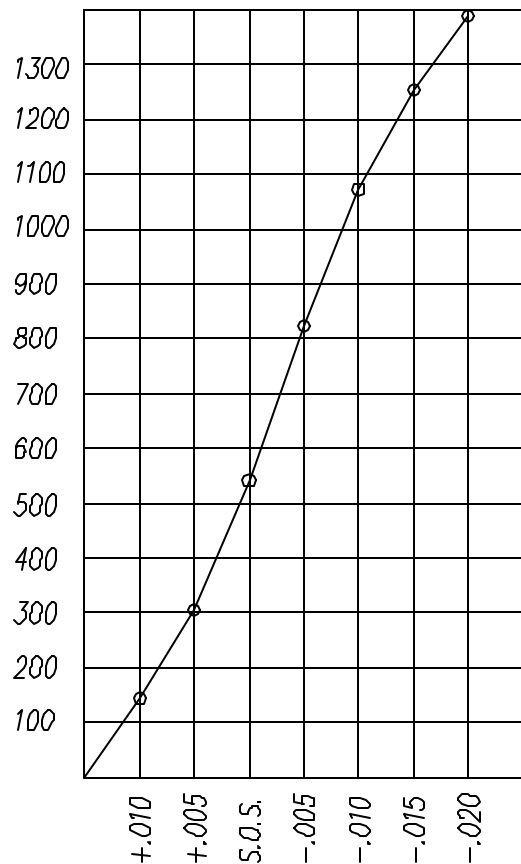
LED SPECIFICATIONS

	GREEN	RED
- COLOR:	GREEN	RED
- FORWARD VOLTAGE(20mA) :	2.5v (MAX)	2.5V (MAX)
- FORWARD VOLTAGE(20mA) :	2.1V (TYP)	2.0V (TYP)
- POWER DISSIPATION :	105mW	105mW
- WAVE LENGTH:	590nm	625nm
- LUMINOUS INTENSITY (10mA) :	2-8 MCD	3.2-20 MCD

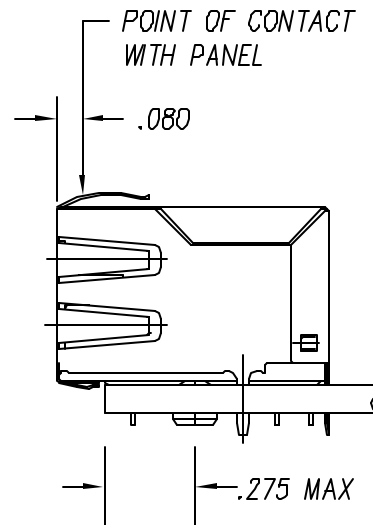
InNet InNet Technologies, Inc.
http://www.innet-tech.com

Stewart Connector Stewart Connector Systems
http://www.stewartconnector.com

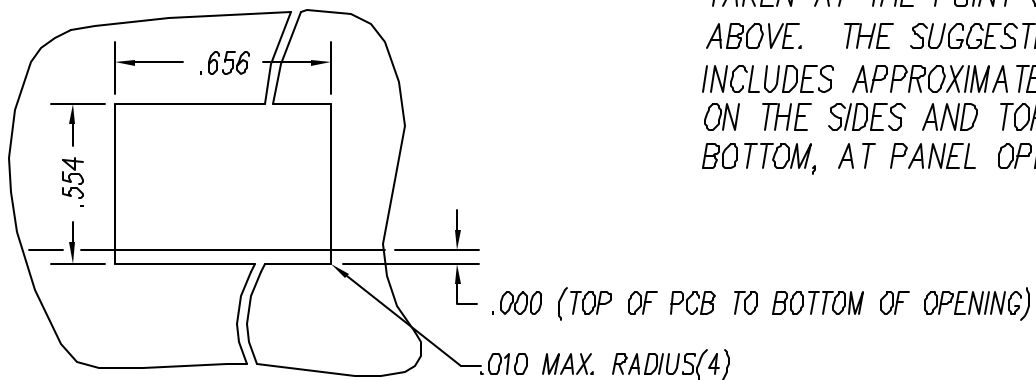
SHEET 3 OF 4	DRAWING NO. SI-40227	REV. 04
-----------------	-------------------------	------------





PANEL GROUNDING BEAM DEFLECTION
S.O.S. = SUGGESTED OPENING SIZE



THE SUGGESTED PANEL OPENING IS INTENDED TO GIVE THE USER THE ABILITY TO HAVE REASONABLE JACK / PANEL CLEARANCES YET MAINTAIN RELIABLE GROUNDING CAPABILITY. THESE VARIABLES CAN BE ADJUSTED IN EITHER DIRECTION BUT MAY CARRY SOME CONSEQUENCES IN THE FORM OF LOWER MATING FORCES OR TIGHTER ASSEMBLY TOLERANCES. FORCE VALUES ON THE GRAPH ARE GENERAL AVERAGES TAKEN AT THE POINT OF CONTACT SHOWN ABOVE. THE SUGGESTED PANEL OPENING INCLUDES APPROXIMATELY .020 CLEARANCE ON THE SIDES AND TOP AND .013 ON THE BOTTOM, AT PANEL OPENING.



SUGGESTED PANEL OPENING

 InNet Technologies, Inc. http://www.innet-tech.com	
 Stewart Connector Systems http://www.stewartconnector.com	
SHEET 4 OF 4	DRAWING NO. SI-40227
REV. 04	